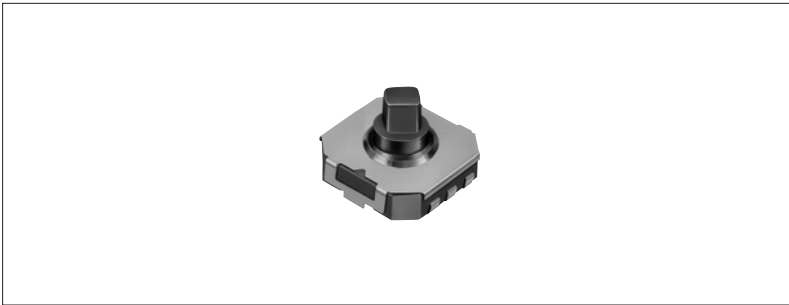


4-directional Switch with a Center Push TACT Switch

SKRH Series

A 4-directional, center push switch for compact and thinner set design.

- Power
- Push
- Slide
- Rotary
- Encoders



Lead Free

- Jog Shuttle
- Telephone-hook
- Detector
- Vibration/Tilt Sensors
- Dual-in-line Package Type
- Multi Control Devices

TACT

- Sharp Feeling
- Soft Feeling
- Snap-in Type
- Surface Mount Type
- Radial Type

Features

- Multi-directional input type with four directions plus center push.
- Remarkably compact and low-profile: Outline dimensions (7.35 x 7.5mm), Stem height (5mm), Body height (1.8mm). Longer life type: Outline dimensions (7.45 x 7.5mm). Stem height (5mm), Body height(1.85mm).
- Its octagonal shape outline contributes to smaller mounting space. (Reduce mounting surface area by 53%, compared with SKQU products.)
- Reflow solderable type
- Packaged with a 16mm embossed taping.

Applications

- Digital cameras and digital video cameras.
- Portable audio devices.
- Cellular phones and Personal digital assistances.
- Operation of various digital devices.

Products Line

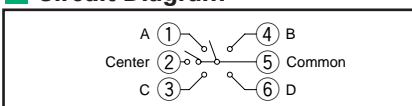
Products No.	Operating force		Travel (mm)		Rating (max.)	Operating life (5mA 5V DC)	Initial contact resistance	Variety
	4-Directional	Center push	4-Directional	Center push				
SKRHAAE010	1.23N	2.35N	0.25	0.15	50mA 12V DC	200,000 cycles for each direction	500mΩ max.	Without guide bosses
SKRHABE010								With guide bosses
SKRHACE010	1.2N					500,000 cycles for each direction		Without guide bosses
SKRHADE010								With guide bosses

Dimensions

Unit : mm

Style	PC board mounting hole and land dimensions (Viewed from switch mounting face)															
<table border="1" style="margin-left: auto; margin-right: auto;"> <thead> <tr> <th></th> <th>x</th> <th>h</th> </tr> </thead> <tbody> <tr> <td>SKRHAAE010</td> <td>7.35</td> <td>1.8</td> </tr> <tr> <td>SKRHABE010</td> <td>7.35</td> <td>1.8</td> </tr> <tr> <td>SKRHACE010</td> <td>7.45</td> <td>1.85</td> </tr> <tr> <td>SKRHADE010</td> <td>7.45</td> <td>1.85</td> </tr> </tbody> </table>		x	h	SKRHAAE010	7.35	1.8	SKRHABE010	7.35	1.8	SKRHACE010	7.45	1.85	SKRHADE010	7.45	1.85	
	x	h														
SKRHAAE010	7.35	1.8														
SKRHABE010	7.35	1.8														
SKRHACE010	7.45	1.85														
SKRHADE010	7.45	1.85														

Circuit Diagram



Note

4-directional operating force and travel are measured at 4.3mm height from the bottom of the switch.

For detailed specifications, see **P.395**

For soldering conditions, see **P.396**

For specifications for the taping package, see **P.398**